



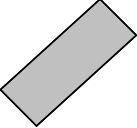
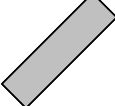
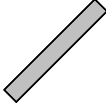
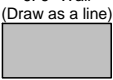





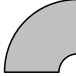
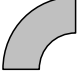
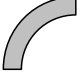
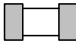


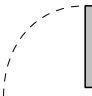


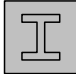

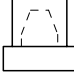

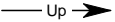

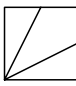



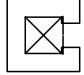
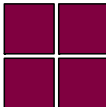
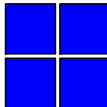



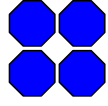

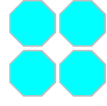
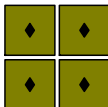
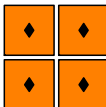
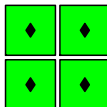
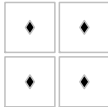







Floor Plans Home Layout Walls, Windows, and Floors

		Text
1. Horizontal or Vertical Line	2. Diagonal Line	3. Text
		
4. Line with Dimensions	5. Line with Dimensions	6. 6" Wall (Draw as a line)
		
7. 4" Wall (Draw as a line)	8. 2" Wall (Draw as a line)	9. 6" Wall
		
10. 6" Wall	11. 4" Wall	12. 4" Wall
		
13. 2" Wall	14. 2" Wall	15. 6" Curved Wall
		
16. 4" Curved Wall	17. 2" Curved Wall	18. Window
		
19. Glider Window	20. Bay Window	21. Door
		
22. Bi-fold Door	23. Sliding Door	24. Rectangular Column
		
25. Circular Column	26. Fireplace	27. Staircase
		
28. Direction on Staircase	29. Direction on Staircase	30. Staircase Corner Landing
		
31. Hand Rail for Staircase	32. Spiral Staircase	33. Curved Staircase

		
34. Elevator	35. Floor Tile	36. Floor Tile
		
37. Floor Tile	38. Floor Tile	39. Floor Tile
		
40. Floor Tile	41. Floor Tile	42. Floor Tile
		
43. Floor Tile	44. Floor Tile	45. Floor Tile
		
46. Floor Tile	47. Carpet	48. Wood Floor
		
49. Curve for Drawing Walls	50. Curve for Drawing Walls	51. Curve for Drawing Walls